



MOBILAIR M 58

Portable Compressors

With the world-renowned SIGMA PROFILE
Flow rate 4.7 to 5.6 m³/min (165 to 200 cfm)

MOBILAIR M 58

The powerful combination of the highly efficient KAESER SIGMA PROFILE rotary screw airend and an energy-saving Kubota engine equipped with a diesel particulate filter as standard provides impressive fuel efficiency and super-clean performance.

Maximum versatility

The MOBILAIR M 58 is the ideal choice for powering equipment such as breakers and impact borers and is also perfectly suited to blasting applications. Meticulous construction and premium quality components ensure trouble-free operation in ambient temperatures ranging from -10 °C to +50 °C. A low temperature version is also available for use in colder ambient temperatures. Versatility is further enhanced by the chassis, as it can be equipped with a fixed or height adjustable tow bar. Stationary versions can be installed either on skids or machine mounts.

MOBILAIR low emission zone

With its diesel particulate filter, the M 58 fulfils the US-American TIER 4 final exhaust emissions standard and is therefore welcome in environmental zones.

Pressure variants

Models are available in various pressure versions ranging from 7 to 10 bar according to requirement. Pressure can be reduced easily in steps of 0.5 bar down to 6 bar using the SIGMA CONTROL SMART's arrow keys. The pressure adjustment feature can also be electronically disabled to safeguard parameter settings against unauthorised changes.

Closed floor pan option

The sealed floor pan catches all liquids and consequently prevents soil contamination in environmentally sensitive zones. All drainage openings are sealed with screw plugs.

The Eco-Pro



Anti-Frost Control as standard

Without the optional compressed air aftercooler, the patented Anti-Frost Control automatically adjusts operating temperature in relation to ambient. In combination with the optional tool lubricator, this feature prevents air tools from freezing up and significantly extends their service life.



Optional compressed air aftercooler

The compressed air aftercooler cools the compressed air to 7 °C above ambient. Because the aftercooler is installed at an angle the condensate is able to easily drain away. This environmentally-friendly design prevents problems caused by freezing in winter and the condensate is evaporated using the hot exhaust gases from the engine.



Simply smart

Featuring push-button start, the SIGMA CONTROL SMART compressor controller also allows changeover from unloaded start to load operation in order to ensure optimum cold-start performance. Protected by a durable metal cover, the high visibility colour display shows all key operational data, such as fuel tank fill level, and counts down to the next scheduled maintenance appointment.



Excellent accessibility, optimum serviceability

Thanks to intelligent component layout, all maintenance points are easily accessible via the large gull-wing doors, which makes service work fast and efficient. Optional custom service contracts are also available.

Technical specifications

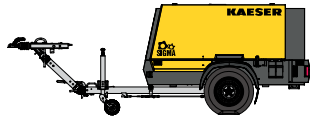
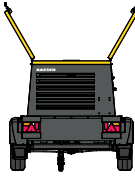
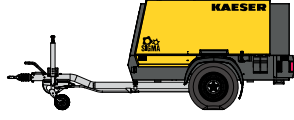

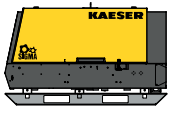
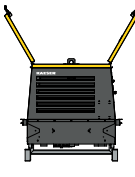

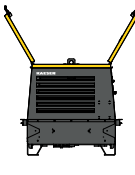
Model	Compressor				4-cylinder diesel engine (Water-cooled)				Complete system				
	Flow rate		Working pressure		Make	Type	Rated engine power	Speed at full load	Fuel tank capacity	Operational weight ¹⁾	Sound power level ²⁾	Sound pressure level ³⁾	Compressed air outlet
	m ³ /min	cfm	bar	PSI	kW		kW	rpm	l	kg	dB(A)	dB(A)	
M58	5.6 4.7	200 165	7 10	100 145	Kubota	V2403 with DPF	36	2600	105	1340	≤ 98	67	2 x G¾, 1 x G1

¹⁾ Applies to standard unit without air treatment on height adjustable chassis

²⁾ Guaranteed sound power level as per 2000/14/EC

³⁾ Measuring surface sound pressure level as per ISO 3744 (r: 10m)

Dimensions / versions

Height adjustable version	 4115 - 4270	1510	 1690	2185
Fixed version	 3860 - 3910	1510	 1690	2185
Skid-mounted version	 2215	1335	 1405	2015
Stationary version	 2205	1295 - 1355	 1405	1970



KAESER KOMPRESSOREN SE

P.O. Box 2143 – 96410 Coburg – GERMANY – Tel +49 9561 640-0 – Fax +49 9561 640-130
e-mail: productinfo@kaeser.com – www.kaeser.com