



MOBILAIR M 13/M 15/M 17

Portable Compressors

With the world-renowned SIGMA PROFILE
Flow rate 0.75 to 1.60 m³/min (27 – 57 cfm)

MOBILAIR M13/M15/M17

Compact design with impressive performance

Heavyweight performance doesn't have to come with the burden of high operational weight and there are no better examples of this than Kaeser's smaller Mobilair models: the M 13, M 15 and M 17. Exceptionally compact and lightweight, models are available to provide 1.2, 1.4 or 1.6 m³ of quality compressed air per minute (at 7 bar). Moreover, in order to cover as wide a range of needs as possible, the M 13 is offered as a standard petrol version, or as an electric version.

Exceptionally versatile

The three smallest compressors in the Mobilair range offer incredible versatility for a wide range of applications. Suitable for use in ambient temperatures up to +40 °C, they deliver the energy required to power breakers, air spades, pneumatic drills, saws, wrenches, grinders, impact borers and pipe inspection robots. The 15-bar version is the ideal choice for trenchless laying of glass fibre cables or for leakage tests. An external compressed air aftercooler can also be optionally connected to ensure a dependable supply of cool, condensate-free air at all times.

Rotary screw compressor with petrol or electric drive

At the heart of every model lies a proprietary Kaeser airend equipped with energy-efficient Sigma Profile rotors. A Honda petrol engine or a high performance three-phase electric motor (M 13E) provides the necessary power. A maintenance-free V-belt drive system ensures dependable power transmission between the motor and airend. Models are also available in various pressure versions ranging from 7 to 15 bar.



User-friendly operation

The quality of Kaeser's M 13, M 15 and M 17 portable compressors is apparent in their user-friendly design. This is achieved by:

- an easy-to read control panel with pressure gauge, operating hours counter and discharge temperature monitoring
- straightforward key start-up and dependable cold-start with choke and electrical starter for petrol engine models
- single switch actuation with star-delta start to prevent start-up current surge with electric compressor version. Motor rotation direction monitoring and convenient pole-changing switch (for inadvertent incorrect poling when connecting the compressor to the mains electrical supply)

Easy to transport

These compact compressors are able fit into the tightest of loading spaces, which leaves the vehicle towing hitch free for use. A counter-sunk lifting eye makes loading and unloading simple.

Alternative colours

The corrosion- and scratchproof roto-molded polyethylene enclosure is also available in the following colours:

- Blue – equivalent RAL 5017
- Green – equivalent RAL 6024
- Red – equivalent RAL 3020
- Orange – equivalent RAL 2009

Other colours available upon request.

Minimal space requirement





Maximum versatility – with two drive options



Impressive performance

The compressor's impressive performance and staying power is made possible thanks to its generously sized fuel tank and continuous flow rate control, which precisely matches air flow to meet actual demand. This further reduces the fuel consumption of these already efficient machines.



The emissions-free alternative

For use in closed environments and in sound-sensitive areas, the emissions-free and super-quiet M 13E is also available with an IP54 ISO F 3-phase motor, making it the perfect choice.



Easy-load design

The compressor can be manually lifted via four ergonomically designed hand grips, e.g. to enable loading on to a transporter.



Outstanding manoeuvrability

Compact design, large pneumatic tyres, a low centre of gravity and a long, stowable tow bar make manoeuvrability simple.

Compressed air aftercooler (Option)

The M 13, M 15 and M 17 can be operated with an external compressed air aftercooler to ensure a dependable supply of cool, condensate-free compressed air. Units can be delivered ready prepared ex works with:

- 12-V electrical connection for aftercooler fan
- Connection for return of separated condensate (in the petrol version it is evaporated via hot exhaust gases; in the electric version condensate is collected via an integrated tank)

Support frame with compressed air aftercooler: The frame (weight: 16 kg) is equipped with fixed connections for compressed air, fan power supply and condensate return. All you need you to do is simply connect a prepared compressor.



User-friendly

No matter which model you choose, every Kaeser Mobilair compressor is designed with unrivalled user-friendliness and manoeuvrability in mind and provides optimum component access for ease of maintenance. This approach not only minimises maintenance costs, but also assures maximum machine availability.



Technical specifications

Petrol engine versions

Model	Compressor				Petrol engine				Package				
	Flow rate		Gauge working pressure		Make	Type	Engine rated power	Speed at full load	Fuel tank capacity	Operational weight	Sound power level*	Sound pressure level**	Compressed air outlet***
	m³/min	cfm	bar	PSI									
M13	1.20	42	7	100	Honda	GX 630	15.5	2500	20	202	≤97	76	1 x G½
	1.00	35	10	145									
	0.90	32	12	175									
	0.85	30	13	190									
M15	1.4	50	7	100	Honda	GX 630	15.5	3000	20	202	Only for export outside the EU		1 x G½
M17	1.6	57	7	100	Honda	GX 630	15.5	3300	20	204	Only for export outside the EU		1 x G½
	1.0	35	15	215				2300			≤97	76	

Electric version

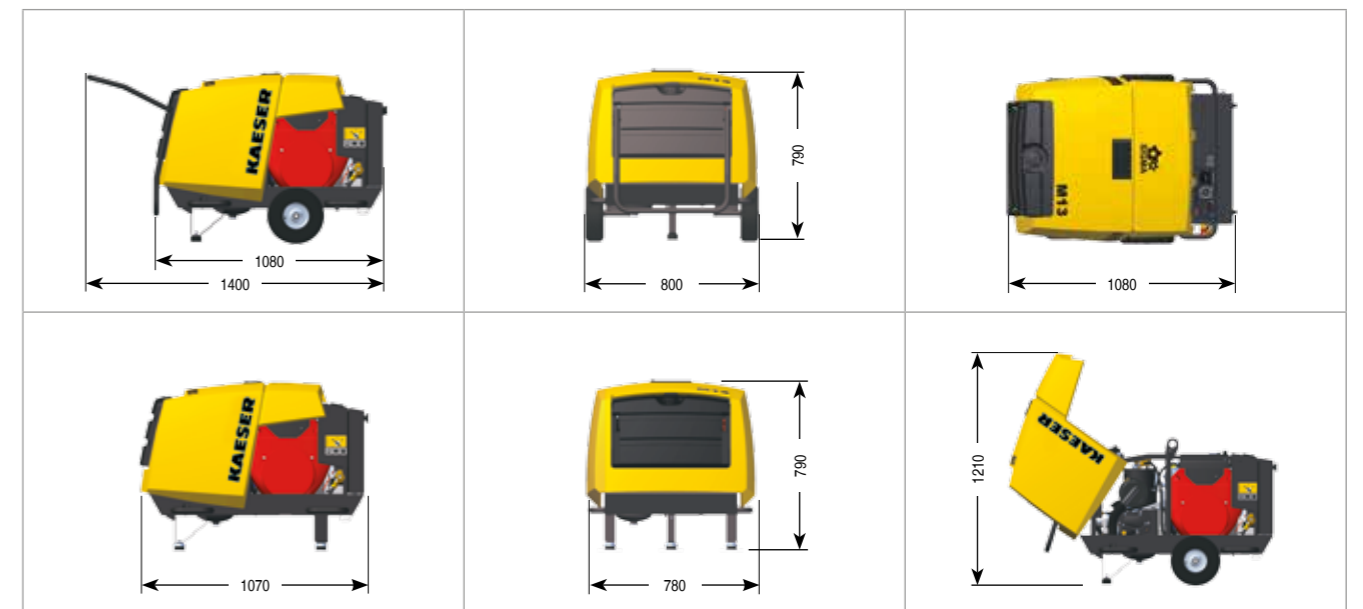
Model	Compressor				Electric motor (3-phase)				Package				
	Flow rate		Gauge working pressure		Make	Type	Motor specific power	Voltage variants	Recommended fusing	Operational weight	Sound power level*	Sound pressure level**	Compressed air outlet
	m³/min	cfm	bar	PSI									
M13E	1.20	42	7	100	ABM	4D112-M-2	7.5	400V 50 Hz 230V 50 Hz 460V 60 Hz	25A	187	≤97	73	1 x G½
	1.00	35	10	145									
	0.90	32	12	175									
	0.85	30	13	190									
	0.75	27	15	215									

*) Guaranteed sound power level as per Directive 2000/14/EC

**) Surface sound pressure level as per ISO3744 (r=4m)

***) G½" = Connection thread size – hoses with G¾" claw couplings can be connected

Dimensions



The world is our home

As one of the world's largest compressed air systems providers and compressor manufacturers, KAESER KOMPRESSOREN is represented throughout the world by a comprehensive network of branches, subsidiary companies and authorised partners.

With innovative products and services, KAESER KOMPRESSOREN's experienced consultants and engineers help customers to enhance their competitive edge by working in close partnership to develop progressive system concepts that continuously push the boundaries of performance and compressed air efficiency. Moreover, the decades of knowledge and expertise from this industry-leading system provider are made available to each and every customer via the KAESER group's global computer network.

These advantages, coupled with KAESER's worldwide service organisation, ensure that every product operates at the peak of its performance at all times and provides maximum availability.



KAESER KOMPRESSOREN SE

P.O. Box 2143 – 96410 Coburg – GERMANY – Tel +49 9561 640-0 – Fax +49 9561 640-130
e-mail: productinfo@kaeser.com – www.kaeser.com